

# ***Ice-O-Matic***<sup>®</sup>

**SERVICE PARTS MANUAL  
ICE SERIES CUBERS  
MODEL-ICE0250, ICE0400, ICE0500, ICE0606  
Includes 50Hz. Units**



**Ice-O-Matic  
11100 East 45th Ave  
Denver, Colorado 80239  
Part Number 9081299-01**

**Date 1/09**



# ICE Series Service Parts

This parts list contains the service parts available for the ICE Series icemakers.

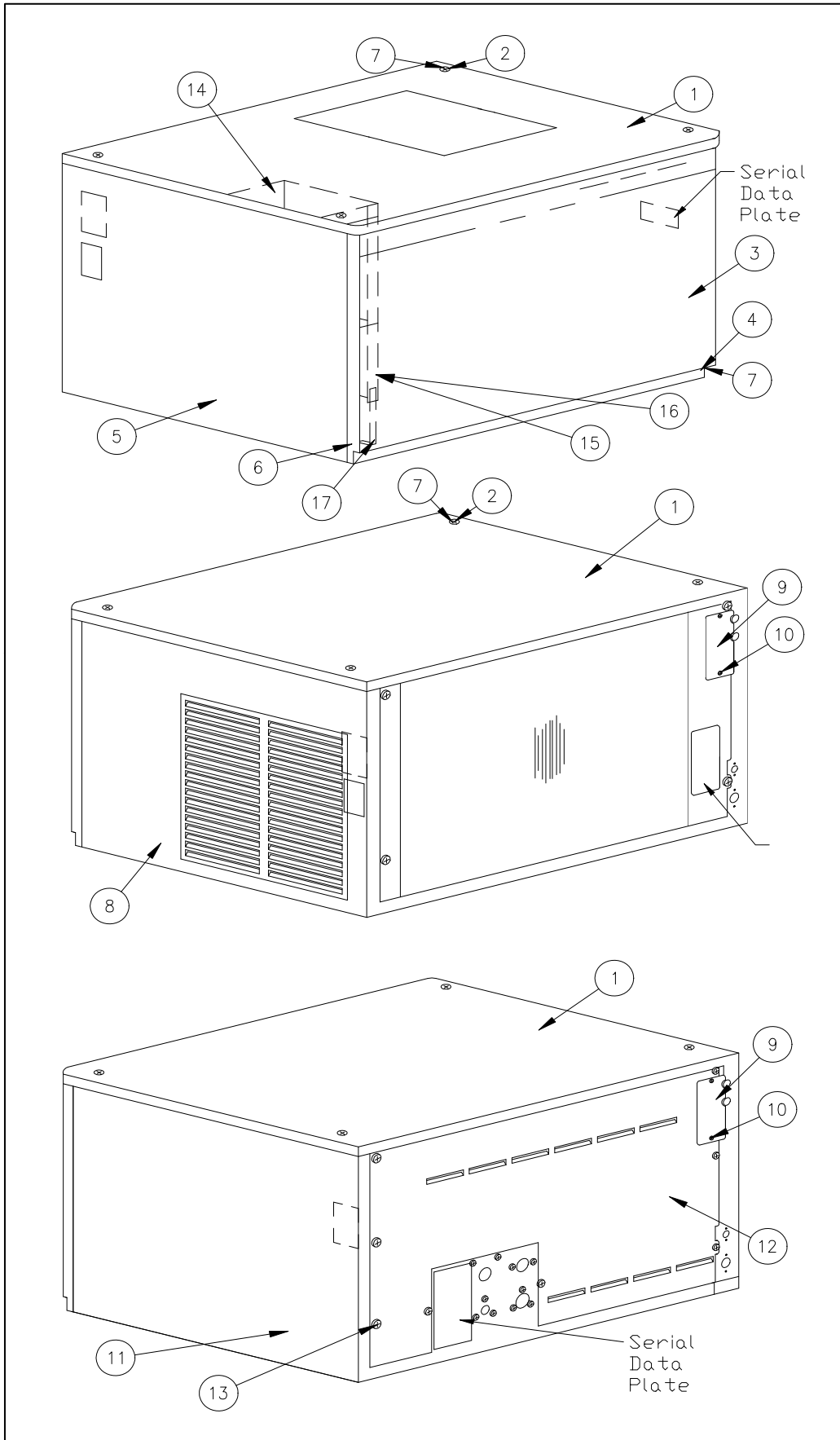
Check the model number on the data plate and refer to the correct listing for the specific component.

Check carefully that the correct part is identified and ordered.

<b>Table of Contents</b>	<b>Page 1</b>
<b>Exterior Components</b>	<b>Page 2 - 3</b>
<b>Interior Components-Front View</b>	<b>Page 4 - 5</b>
<b>Air Cooled</b>	<b>Page 6 - 7</b>
<b>Water Cooled</b>	<b>Page 8 - 9</b>
<b>Remote</b>	<b>Page 10 - 11</b>
<b>Control Box</b>	<b>Page 12 - 13</b>
<b>Specific Compressor Components</b>	<b>Page 13</b>
<b>Harvest Assist Assembly</b>	<b>Page 14 - 15</b>
<b>Remote Condenser</b>	<b>Page 16 - 17</b>

The ICE Series Service manual is available separately, Part number 9081270-01

Ice-O-Matic  
11100 East 45th Ave.  
Denver Co. 80239  
800-423-3367

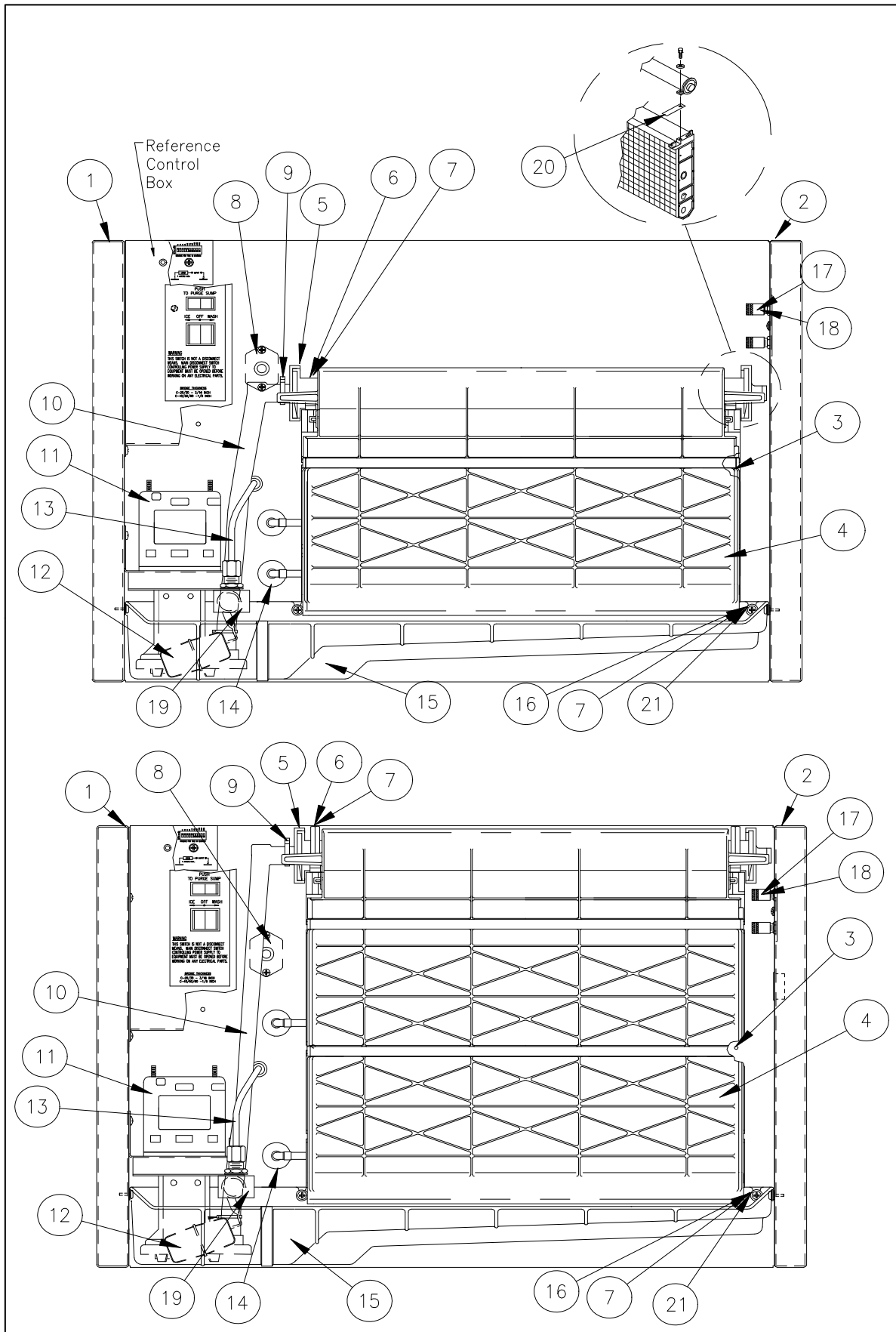


## ICE Series Service Parts

## Exterior Components

Item	Model Number					Description
No.	ICE0250	ICE0400	ICE0406	ICE0500	ICE0606	
1	2101285-01	2101285-01	2101285-01	2101285-01	2101285-01	Top Panel
1	2101280-01	2101280-01	2101280-01	2101280-01	2101280-01	Top Panel- <b>Top Discharge</b>
2	9031098-02	9031098-02	9031098-02	9031098-02	9031098-02	Top Panel Screw
3	2031465-01	2031465-01	2031465-01	2031465-01	2031465-01	Front Panel
4	9031098-02	9031098-02	9031098-02	9031098-02	9031098-02	Front Panel Screw
5	3021770-01	3021770-01	3021770-01	3021770-01	3021770-01	LH Side Panel
6	9031046-02	9031046-02	9031046-02	9031046-02	9031046-02	Side Panel Screws
7	9031141-01	9031141-01	9031141-01	9031141-01	9031141-01	Plastic Nut Insert
8	2031468-01	2031468-01	2031468-01	2031468-01	2031468-01	RH Side Panel- <b>Louvered</b>
9	3012681-01	3012681-01	3012681-01	3012681-01	3012681-01	Junction Box Cover
10	9031046-01	9031046-01	9031046-01	9031046-01	9031046-01	Junction Box Cover Screw
11	3021774-01	3021774-01	3021774-01	3021774-01	3021774-01	RH Side Panel
12	3021742-01	3021742-01	3021742-01	3021742-01	3021742-01	Rear Panel
13	9031046-01	9031046-01	9031046-01	9031046-01	9031046-01	Rear Panel Screw
14	3012905-01	3012905-01	3012905-01	3012905-01	3012905-01	Control Box Top Cover
15	3012904-01	3012904-01	3012904-01	3012904-01	3012904-01	Control Box Side Cover
16	9031046-01	9031046-01	9031046-01	9031046-01	9031046-01	Control Box Screws
17	3012893-01	3012893-01	3012893-01	3012893-01	3012893-01	Water Trough Support

Item	Model Number			Description
No.	ICE0305	ICE0405	ICE0605	
1	2101285-01	2101285-01	2101285-01	Top Panel
1	2101280-01	2101280-01	2101280-01	Top Panel- <b>Top Discharge</b>
2	9031098-02	9031098-02	9031098-02	Top Panel Screw
3	2031465-01	2031465-01	2031465-01	Front Panel
4	9031098-02	9031098-02	9031098-02	Front Panel Screw
5	3021770-01	3021770-01	3021770-01	LH Side Panel
6	9031046-02	9031046-02	9031046-02	Side Panel Screws
7	9031141-01	9031141-01	9031141-01	Plastic Nut Insert
8	2031468-01	2031468-01	2031468-01	RH Side Panel- <b>Louvered</b>
9	3012681-01	3012681-01	3012681-01	Junction Box Cover
10	9031046-01	9031046-01	9031046-01	Junction Box Cover Screw
11	3021774-01	3021774-01	3021774-01	RH Side Panel
12	3021742-01	3021742-01	3021742-01	Rear Panel
13	9031046-01	9031046-01	9031046-01	Rear Panel Screw
14	3012905-01	3012905-01	3012905-01	Control Box Top Cover
15	3012904-01	3012904-01	3012904-01	Control Box Side Cover
16	9031046-01	9031046-01	9031046-01	Control Box Screws
17	3012893-01	3012893-01	3012893-01	Water Trough Support

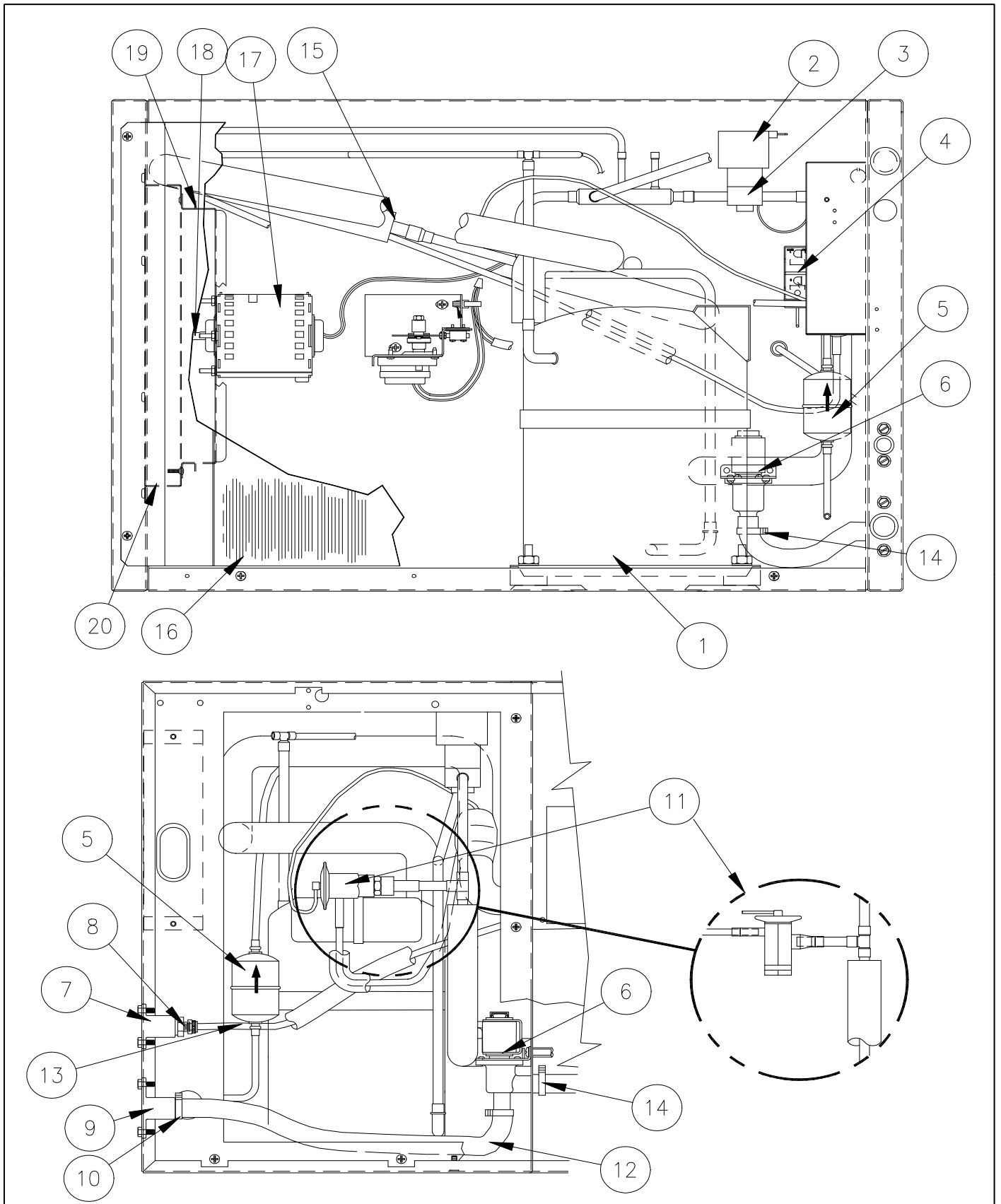


**ICE Series Service Parts**

**Front Interior**

Item		Model Number				Description
No.	ICE0250	ICE0400	ICE0406	ICE0500	ICE0606	
1	2021524-01	2021524-01	2021524-01	2021524-01	2021524-01	Left Hand Frame Panel
2	2021523-01	2021523-01	2021523-01	2021523-01	2021523-01	Right Hand Frame Panel
3	2051156-81	2051148-81	2051148-81	2051148-81	2051148-81	Evaporator-Full Cube
3	2051156-82	2051148-82	2051148-82	2051148-82	2051148-82	Evaporator-Half Cube
4	9051154-07	9051154-08	9051154-08	9051154-08	9051154-08	Evaporator Splash Curtain
5	2041338-01	2041338-01	2041338-01	2041338-01	2041338-01	Water Distribution Tube
6	9031122-01	9031122-01	9031122-01	9031122-01	9031122-01	Thumb Screw
7	9031004-19	9031004-19	9031004-19	9031004-19	9031004-19	Rubber Washer
8	9041051-04	9041051-04	9041051-04	9041051-04	9041051-04	High Pressure Control
9	9021010-04	9021010-04	9021010-04	9021010-04	9021010-04	Clamp
10	9051142-02	9051142-01	9051142-01	9051142-01	9051142-01	Water Pump Tube
11	9161076-01	9161076-01	9161076-02	9161076-01	9161076-02	Water Pump
12	9131111-01	9131111-01	9131111-01	9131111-01	9131111-01	Float
13	6021032-01	6021032-01	6021032-01	6021032-01	6021032-01	Water Float Tube (26")
14	9051001-09	9051001-09	9051001-09	9051001-09	9051001-09	Snap Bushing
15	9051537-01	9051537-01	9051537-01	9051537-01	9051537-01	Water Return Trough
16	9031046-24	9031046-24	9031046-24	9031046-24	9031046-24	Water Return Trough Screw
17	9091086-02	9091086-02	9091086-02	9091086-02	9091086-02	Valve Core
18	9091086-03	9091086-03	9091086-03	9091086-03	9091086-03	Valve Cap
19	9131026-02	9131026-02	9131026-02	9131026-02	9131026-02	Caplug
20	3012747-01	N/A	N/A	N/A	N/A	Bracket Curtain Stopper
21	9031141-01	9031141-01	9031141-01	9031141-01	9031141-01	Plastic Nut Insert

Item		Model Number		Description
No.	ICE0305	ICE0405	ICE0605	
1	2021524-01	2021524-01	2021524-01	Left Hand Frame Panel
2	2021523-01	2021523-01	2021523-01	Right Hand Frame Panel
3	2051156-81	2051148-81	2051148-81	Evaporator-Full Cube
3	2051156-82	2051148-82	2051148-82	Evaporator-Half Cube
4	9051154-07	9051154-08	9051154-08	Evaporator Splash Curtain
5	2041338-01	2041338-01	2041338-01	Water Distribution Tube
6	9031122-01	9031122-01	9031122-01	Thumb Screw
7	9031004-19	9031004-19	9031004-19	Rubber Washer
8	9041051-04	9041051-04	9041051-04	High Pressure Control
9	9021010-04	9021010-04	9021010-04	Clamp
10	9051142-02	9051142-01	9051142-01	Water Pump Tube
11	9161076-02	9161079-03	9161079-03	Water Pump
12	9131111-01	9131111-01	9131111-01	Float Valve
13	6021032-01	6021032-01	6021032-01	Water Float Tube (26")
14	9051001-09	9051001-09	9051001-09	Snap Bushing
15	9051153-06	9051153-06	9051153-06	Water Return Trough
16	9031046-24	9031046-24	9031046-24	Water Return Trough Screw
17	9091086-02	9091086-02	9091086-02	Valve Core
18	9091086-03	9091086-03	9091086-03	Valve Cap
19	9131026-02	9131026-02	9131026-02	Caplug
20	3012747-01	N/A	N/A	Curtain Stopper
21	9031141-01	9031141-01	9031141-01	Plastic Nut Insert

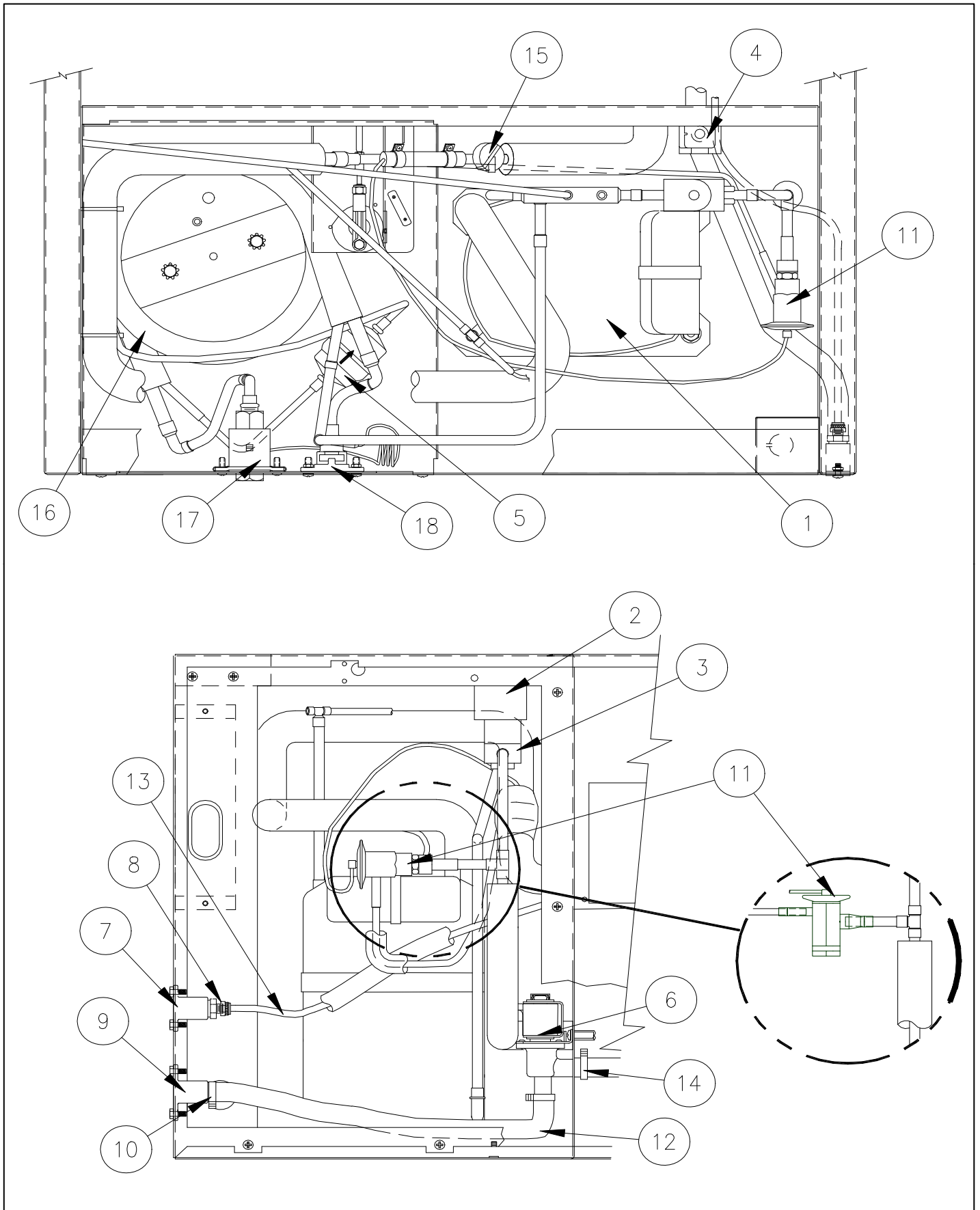


# ICE Series Service Parts

# Air Cooled

Item	Model Number					Description
No.	ICE0250	ICE0400	ICE0406	ICE0500	ICE0606	
1	9181117-11	9181086-11	9181086-12	9181085-12	9181112-11	Compressor
1	9181121-11					Compressor Beg. Rev 2
2	9151123-03	9151123-03	9151023-04	9151123-03	9151023-04	Hot Gas Valve Coil
3	9151123-01	9151123-01	9151123-01	9151123-01	9151123-01	Hot Gas Valve Body
4	9041094-01	9041094-01	9041094-01	9041094-01	9041094-01	Low Pressure Control
5	9151004-02	9151004-02	9151004-02	9151004-02	9151004-02	Filter Drier
6	9041086-01	9041086-01	9041086-02	9041086-01	9041086-02	Purge Valve
7	9091074-01	9091074-01	9091074-01	9091074-01	9091074-01	Drop Adapter
8	9091083-01	9091083-01	9091083-01	9091083-01	9091083-01	Water Inlet Fitting
9	9091119-01	9091119-01	9091119-01	9091119-01	9091119-01	Purge Drain Fitting
10	9021010-03	9021010-03	9021010-03	9021010-03	9021010-03	Clamp
11	9151006-16	9151006-08	9151006-08	9151006-08	9151006-08	Expansion Valve
11	9151154-01					Expansion Valve (Beg. Ser. F3)
11		9151149-01	9151149-01	9151149-01		Expansion Valve (Beg. Ser. K1)
11					9151151-01	Expansion Valve (Beg. Ser. B2)
12	9051280-01	9051280-01	9051280-01	9051280-01	9051280-01	Purge Drain Hose
13	6021032-01	6021032-01	6021032-01	6021032-01	6021032-01	Tube ( 2.17 Ft.)
14	9021010-04	9021010-04	9021010-04	9021010-04	9021010-04	Clamp
15	9041087-03	9041087-03	9041087-03	9041087-03	9041087-03	High Temp Safety
16	9141104-01	9141106-01	9141106-01	9141113-01	9141113-01	Air Condenser
				9141120-01		Air Cond Beg Ser E217-07212-Z
					9141120-01	Air Cond Beg Ser F2
17	9161089-02	9161089-02	9161089-03	9161089-02	9161089-03	Fan Motor
17				9161078-01		Fan Motor Beg. 07111280012633
18	9131332-02	9131332-02	9131332-02	9131333-02	9131332-02	Fan Blade
18				9131383-01		Fan Blade Beg. 07111280012633
19	3012527-01	3012527-01	3012527-01	3012527-01	3012527-01	Fan Motor Bracket
19				3013252-01		Fan Motor Brkt Beg 07111280012633
20	3012526-01	3012526-01	3012526-01	3012526-01	3012526-01	Fan Shroud

Item	Model Number			Description
No.	ICE0305	ICE0405	ICE0605	
1	9101088-11	9181088-11	9181112-12	Compressor
2	9151023-04	9151023-04	9151023-04	Hot Gas Valve Coil
3	9151123-01	9151123-01	9151123-01	Hot Gas Valve Body
4	9041094-01	9041094-01	9041094-01	Low Pressure Control
5	9151004-02	9151004-02	9151004-02	Filter Drier
6	9041086-02	9041086-02	9041086-02	Purge Valve
7	9091074-01	9091074-01	9091074-01	Drop Adapter
8	9091083-01	9091083-01	9091083-01	Water Inlet Fitting
9	9091119-01	9091119-01	9091119-01	Purge Drain Fitting
10	9021010-03	9021010-03	9021010-03	Clamp
11	9161006-16	9161006-08	9161006-08	Expansion Valve
11	9151154-01			Expansion Valve (Beg. Ser. F3)
11		9151149-01		Expansion Valve (Beg. Ser. K1)
11			9151151-01	Expansion Valve (Beg. Ser. B2)
12	9051280-01	9051280-01	9051280-01	Purge Drain Hose
13	6021032-01	6021032-01	6021032-01	Tube ( 2.17 Ft.)
14	9021010-04	9021010-04	9021010-04	Clamp
15	9041087-03	9041087-03	9041087-03	High Temp Safety
16	9141106-01	9141006-01	9141113-01	Air Condenser
16	9141004-01			Air Cond Beg Rev 2
17	9161108-03	9161089-03	9161089-03	Fan Motor
18	9131333-01	9131332-02	9131332-02	Fan Blade
19	3012527-01	3012527-01	3012527-01	Fan Motor Bracket
20	3012526-01	3012526-01	3012526-01	Fan Shroud

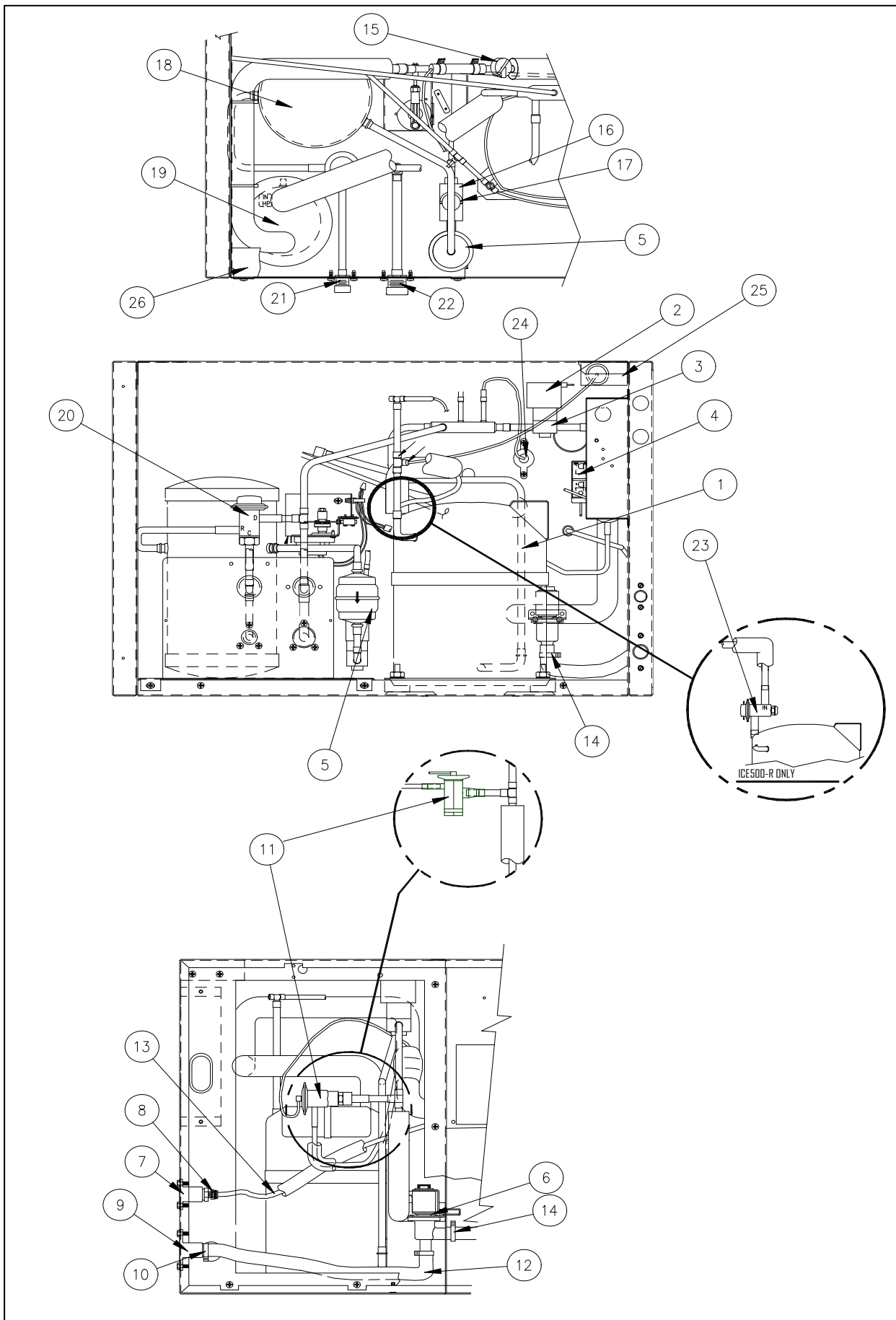


# ICE Series Service Parts

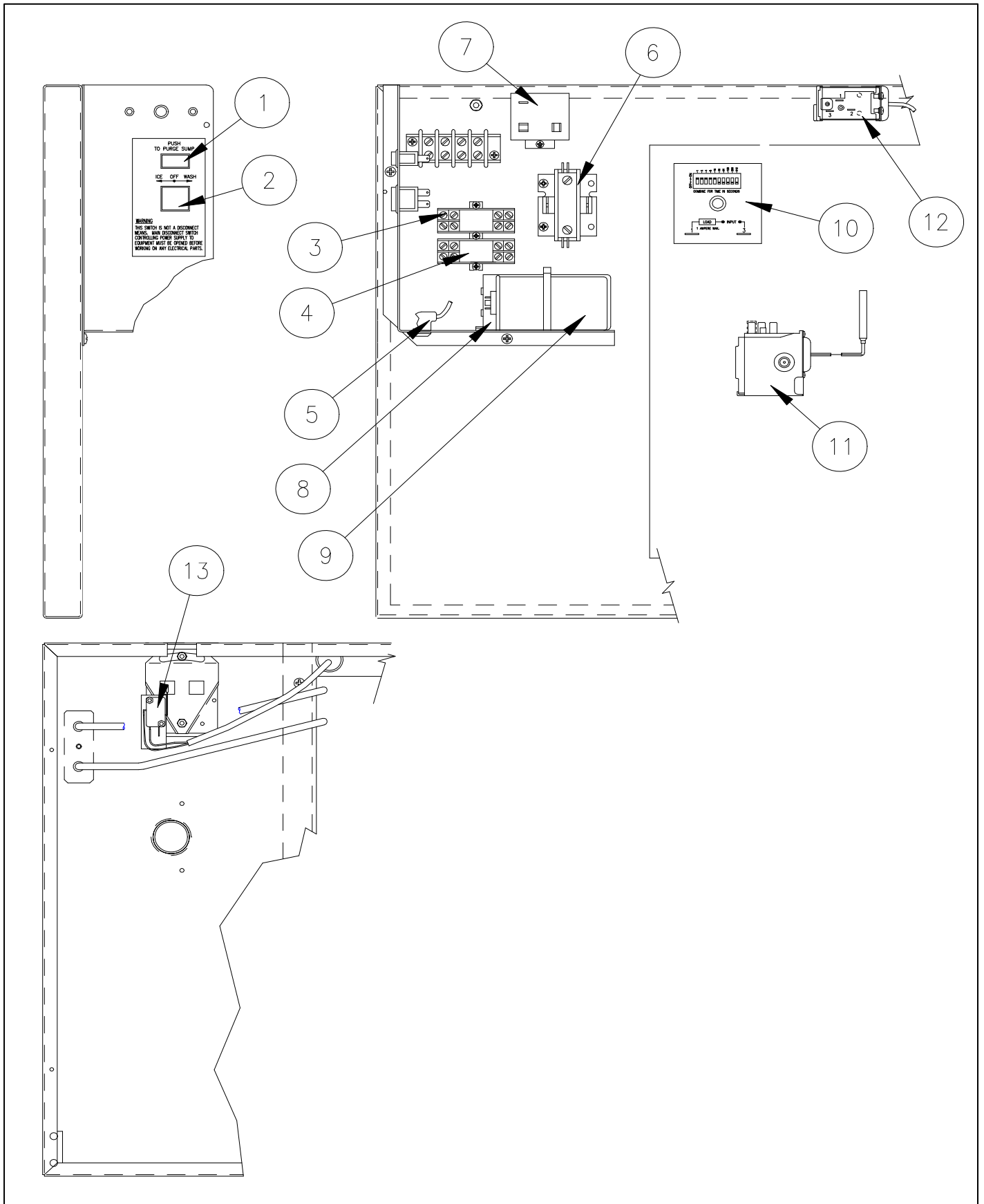
# Water Cooled

Item		Model Number				Description
No.	ICE0250	ICE0400	ICE0406	ICE0500	ICE0606	
1	9181117-11	9181086-11	9181086-12	9181085-12	9181112-11	Compressor
1	9181121-11					Compressor Beg. Rev 2
2	9151123-03	9151123-03	9151023-04	9151123-03	9151023-04	Hot Gas Valve Coil
3	9151123-01	9151123-01	9151123-01	9151123-01	9151123-01	Hot Gas Valve Body
4	9041094-01	9041094-01	9041094-01	9041094-01	9041094-01	Low Pressure Control
5	9151004-02	9151004-02	9151004-02	9151004-02	9151004-02	Filter Drier
6	9041086-01	9041086-01	9041086-02	9041086-01	9041086-02	Purge Valve
7	9091074-01	9091074-01	9091074-01	9091074-01	9091074-01	Drop Adapter
8	9091083-01	9091083-01	9091083-01	9091083-01	9091083-01	Water Inlet Fitting
9	9091119-01	9091119-01	9091119-01	9091119-01	9091119-01	Purge Drain Fitting
10	9021010-03	9021010-03	9021010-03	9021010-03	9021010-03	Clamp
11	9151006-21	9151006-08	9151006-08	9151006-08	9151006-08	Expansion Valve
11	9151154-01					Expansion Valve (Beg. Ser. F3)
11		9151149-01	9151149-01	9151149-01		Expansion Valve (Beg. Ser. K1)
11					9151151-01	Expansion Valve (Beg. Ser. B2)
12	9051280-01	9051280-01	9051280-01	9051280-01	9051280-01	Purge Drain Hose
13	6021032-01	6021032-01	6021032-01	6021032-01	6021032-01	Tube ( 2.17 Ft.)
14	9021010-04	9021010-04	9021010-04	9021010-04	9021010-04	Clamp
15	9041087-03	9041087-03	9041087-03	9041087-03	9041087-03	High Temp Safety
16	9141061-01	9141023-01	9141024-01	9141024-01	9141024-01	Water Condenser
17	9041059-01	9041059-01	9041059-01	9041059-01	9041059-01	Water Valve
18	9091063-02	9091063-02	9091063-02	9091063-02	9091063-02	Drop Adapter 1/2"

Item		Model Number			Description
No.	ICE0305	ICE0405	ICE0605		
1	9101088-11	9181088-11	9181112-12	Compressor	
2	9151023-04	9151023-04	9151023-04	Hot Gas Valve Coil	
3	9151123-01	9151123-01	9151123-01	Hot Gas Valve Body	
4	9041094-01	9041094-01	9041094-01	Low Pressure Control	
5	9151004-02	9151004-02	9151004-02	Filter Drier	
6	9041086-02	9041086-02	9041086-02	Purge Valve	
7	9091074-01	9091074-01	9091074-01	Drop Adapter	
8	9091083-01	9091083-01	9091083-01	Water Inlet Fitting	
9	9091119-01	9091119-01	9091119-01	Purge Drain Fitting	
10	9021010-03	9021010-03	9021010-03	Clamp	
11	9161006-16	9151006-08	9151006-08	Expansion Valve	
11	9151154-01			Expansion Valve (Beg. Ser. F3)	
11		9151149-01		Expansion Valve (Beg. Ser. K1)	
11			9151151-01	Expansion Valve (Beg. Ser. B2)	
15	9041087-03	9041087-03	9041087-03	High Temp Safety	
16	9141061-01	9141024-01	9141024-01	Water Condenser	
17	9041059-01	9041059-01	9041059-01	Water Valve	
18	9091063-02	9091063-02	9091063-02	Drop Adapter 1/2"	



Item		Model Number			Description
No.	ICE0500		ICE0605	ICE0606	
1	9181085-12		9181112-12	9181112-11	Compressor
2	9151123-03		9151123-04	9151123-04	Hot Gas Valve Coil
3	9151123-01		9151123-01	9151123-01	Hot Gas Valve Body
4	9041094-01		9041094-01	9041094-01	Low Pressure Control
5	9151004-04		9151004-04	9151004-04	Filter Drier
6	9041086-01		9041086-02	9041086-02	Purge Valve
7	9091074-01		9091074-01	9091074-01	Drop Adapter
8	9091083-01		9091083-01	9091083-01	Water Inlet Fitting
9	9091119-01		9091119-01	9091119-01	Purge Drain Fitting
10	9021010-03		9021010-03	9021010-03	Clamp
11	9151006-08		9151006-08	9151006-08	Expansion Valve
11	9151149-01				Expansion Valve (Beg. Ser. K1)
11			9151151-01	9151151-01	Expansion Valve (Beg. Ser. B2)
12	9051280-01		9051280-01	9051280-01	Purge Drain Hose
13	6021032-01		6021032-01	6021032-01	Tube ( 2.17 Ft.)
14	9021010-04		9021010-04	9021010-04	Clamp
15	9041087-03		9041087-03	9041087-03	High Temp Safety
16	9151123-02		9151123-02	9151123-02	Liquid Line Solenoid Body
17	9151123-03		9151123-04	9151123-04	Liquid Line Solenoid Coil
18	9151074-01		9151074-01	9151074-01	Receiver
19	2091197-01		N/A	N/A	Accumulator
20	9151027-04		9151027-04	9151027-04	Mixing Valve
21	9091001-11		9091001-11	9091001-11	Remote Fitting 3/8"
22	9091001-12		9091001-12	9091001-12	Remote Fitting 1/2"
23	9151086-01		N/A	N/A	CPR Valve
24	9041051-04		9041051-04	9041051-04	High Pressure Control
25	9041040-01		9041040-01	9041040-01	Pump Down Control
26	3012724-01		3012724-01	3012724-01	Rear Brace



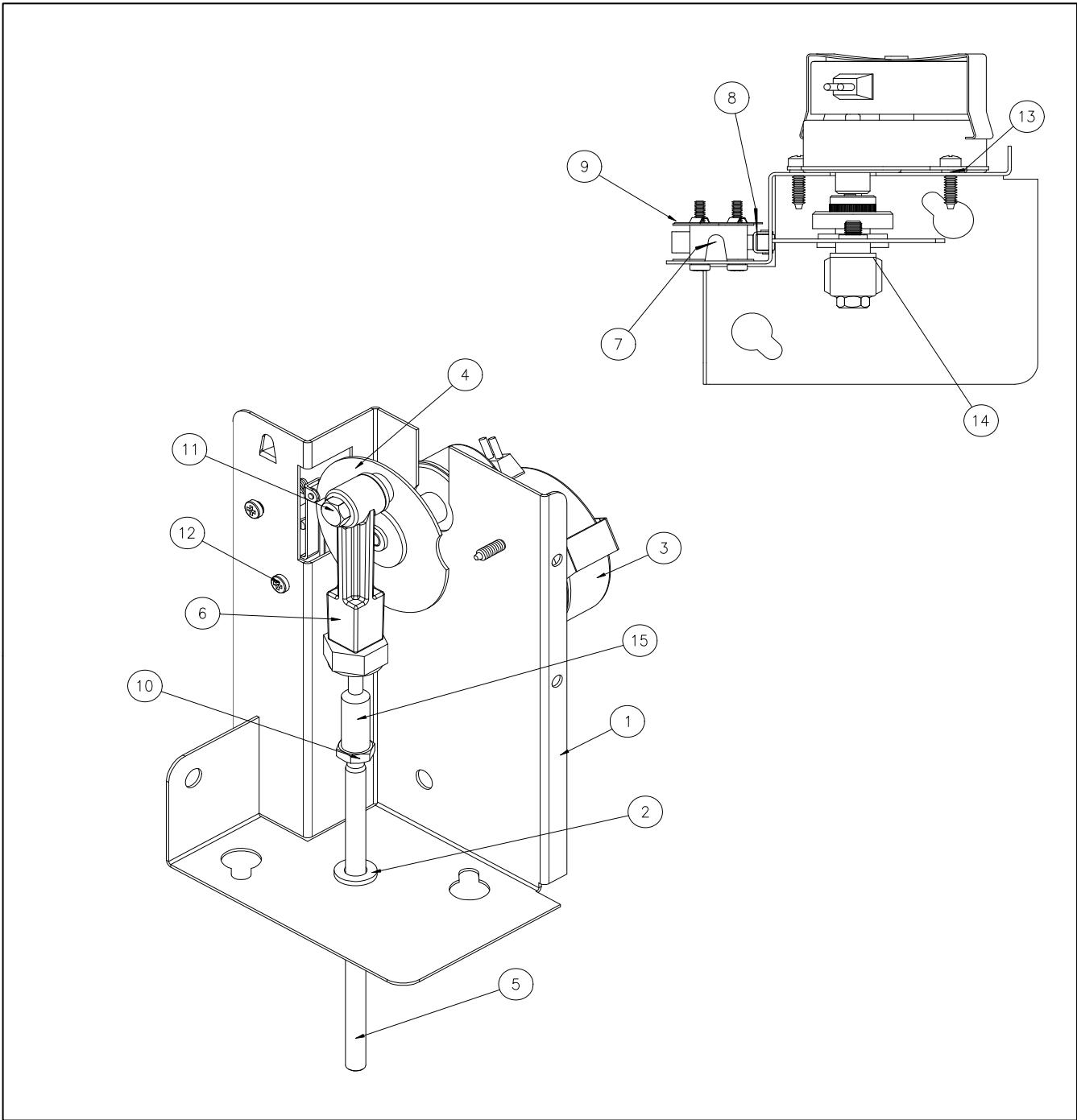
Item		Model Number				Description
No.	ICE0250	ICE0400	ICE0406	ICE0500	ICE0606	
1	9101139-03	9101139-03	9101139-03	9101139-03	9101139-03	Purge Switch
2	9101195-01	9101195-01	9101195-01	9101195-01	9101195-01	ON-OFF-WASH Switch
3	9101083-01	9101083-01	9101083-01	9101083-01	9101083-01	Relay Socket
4	9101084-01	9101084-01	9101084-02	9101084-01	9101084-02	Relay
5	9101218-12	9101218-12	9101218-12	9101218-12	9101218-12	Water Pump Cord
6	9101002-07	9101002-03	9101002-04	9101002-03	9101002-04	Contactactor
7	9181004-27	9181010-14	9181004-07	9181010-12	9181010-12	Compressor Start Relay
8	9181003-39	9181003-17	9181003-05	9181003-26	9181003-26	Start Capacitor
9	N/A	N/A	N/A	9181009-17	9181009-11	Run Capacitor
10	9101148-01	9101148-01	9101148-01	9101148-01	9101148-01	Timer
11	9041094-01	9041094-01	9041094-01	9041094-01	9041094-01	Low Pressure Timer Initiate
12	N/A	N/A	N/A	9041040-01	9041040-01	Pump Down Control
13	9101124-02	9101124-02	9101124-02	9101124-02	9101124-02	Bin Switch

Item		Model Number			Description
No.	ICE0305	ICE0405	ICE0605		
1	9101139-03	9101139-03	9101139-03	Purge Switch	
2	9101195-01	9101195-01	9101195-01	ON-OFF-WASH Switch	
3	9101083-01	9101083-01	9101083-01	Relay Socket	
4	9101084-02	9101084-02	9101084-02	Relay	
5	9101218-12	9101218-12	9101218-12	Water Pump Cord	
6	9101002-04	9101002-04	9101002-04	Contactactor	
7	9181004-04	9181004-04	9181010-10	Compressor Start Relay	
8	9181003-08	9181003-08	9181003-33	Start Capacitor	
9	N/A	N/A	9181009-11	Run Capacitor	
10	9101148-01	9101148-01	9101148-01	Timer	
11	9041094-01	9041094-01	9041094-01	Low Pressure Timer Initiate	
12	N/A	N/A	9041040-01	Pump Down Control	
13	9101124-02	9101124-02	9101124-02	Bin Switch	

**Compressor Components**

Model Number					Description
ICE0250	ICE0400	ICE0406	ICE0500	ICE0606	
9181121-11	9181086-11	9181086-12	9181085-12	9181112-11	Compressor
9181005-37	9181005-12	9181005-26	9181005-22	Internal	Overload
9181004-27	9181010-14	9181004-07	9181010-12	9181010-12	Relay
9181003-39	9181003-17	9181003-05	9181003-26	9181003-26	Start Capacitor
N/A	N/A	N/A	9181009-17	9181009-11	Run Capacitor

Model Number			
ICE0305	ICE0405	ICE0605	Description
9181088-11	9181088-11	9181112-12	Compressor
9181005-26	9181005-26	Internal	Overload
9181004-04	9181004-04	9181010-10	Relay
9181003-08	9181003-08	9181003-33	Start Capacitor
N/A	N/A	9181009-11	Run Capacitor

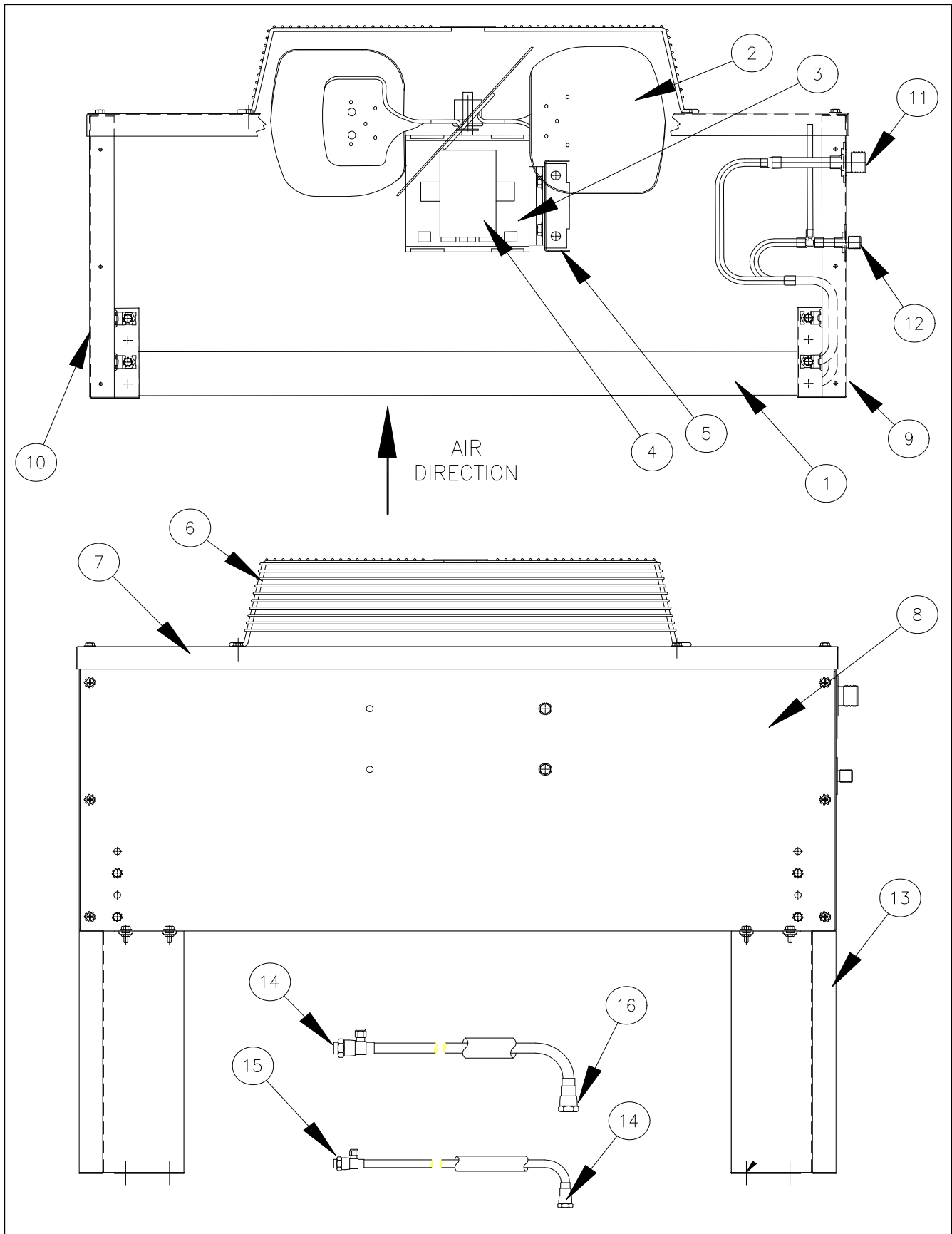


## ICE Series Service Parts

## Harvest Assist Assembly

Item No.	Model Number					Description
	ICE0250	ICE0400	ICE0406	ICE0500	ICE0606	
1	3012890-01	3012890-01	3012890-01	3012890-01	3012890-01	Probe Motor Bracket
2	9051001-13	9051001-13	9051001-13	9051001-13	9051001-13	Snap Bushing
3	9161030-01	9161030-01	9161031-01	9161030-01	9161031-01	Gear Motor
4	9131190-01	9131190-01	9131190-01	9131190-01	9131190-01	Clutch Assembly 180 Degree
5	9131189-03	9131189-03	9131189-03	9131189-03	9131189-03	Probe Shaft
6	9051057-01	9051057-01	9051057-01	9051057-01	9051057-01	Connecting Rod
7	9101160-01	9101160-01	9101160-01	9101160-01	9101160-01	Cam Switch
8	9031120-01	9031120-01	9031120-01	9031120-01	9031120-01	Speed Nut Plate
9	3051145-01	3051145-01	3051145-01	3051145-01	3051145-01	Insulation, Switch
10	9031005-03	9031005-03	9031005-03	9031005-03	9031005-03	#10-32 Hex Nut
11	9031119-01	9031119-01	9031119-01	9031119-01	9031119-01	Shoulder Screw
12	9031008-16	9031008-16	9031008-16	9031008-16	9031008-16	Pan Head Machine Screw
13	9031019-05	9031019-05	9031019-05	9031019-05	9031019-05	Self Tapping Screw
14	9031003-03	9031003-03	9031003-03	9031003-03	9031003-03	Flat Washer
15	9021017-02	9021017-02	9021017-02	9021017-02	9021017-02	Swivel
	2061962-01S	2061962-01S	2061962-02S	2061962-01S	2061962-02S	Complete Assembly

Item No.	Model Number			Description
	ICE0305	ICE0405	ICE0605	
1	3012890-01	3012890-01	3012890-01	Probe Motor Bracket
2	9051001-13	9051001-13	9051001-13	Snap Bushing
3	9161031-01	9161031-01	9161031-01	Gear Motor
4	9131190-01	9131190-01	9131190-01	Clutch Assembly 180 Degree
5	9131189-03	9131189-03	9131189-03	Probe Shaft
6	9051057-01	9051057-01	9051057-01	Connecting Rod
7	9101160-01	9101160-01	9101160-01	Cam Switch
8	9031120-01	9031120-01	9031120-01	Speed Nut Plate
9	3051145-01	3051145-01	3051145-01	Insulation, Switch
10	9031005-03	9031005-03	9031005-03	#10-32 Hex Nut
11	9031119-01	9031119-01	9031119-01	Shoulder Screw
12	9031008-16	9031008-16	9031008-16	Pan Head Machine Screw
13	9031019-05	9031019-05	9031019-05	Self Tapping Screw
14	9031003-03	9031003-03	9031003-03	Flat Washer
15	9021017-02	9021017-02	9021017-02	Swivel
	2061962-02S	2061962-02S	2061962-02S	Complete Assembly



## ICE Series Service Parts

## Remote Condenser

Item		Model Number			Description
No.	ICE0605		ICE0500	ICE0606	
	ERC1062		ERC1002	ERC1062	
1	9141108-01		9141108-01	9141108-01	Condenser
2	9131357-01		9131357-01	9131357-01	Fan Blade
3	9161110-02		9161110-01	9161110-02	Fan Motor
4	9161110-92		9161110-91	9161110-92	Capacitor
5	3012802-01		3012802-01	3012802-01	Fan Motor Brace
6	9131356-01		9131356-01	9131356-01	Fan Guard
7	3012806-01		3012806-01	3012806-01	Top Panel
8	3012793-01		3012793-01	3012793-01	Side Panel
9	3012804-01		3012804-01	3012804-01	Front Panel
10	3012805-01		3012805-01	3012805-01	Rear Panel
11	9091001-07		9091001-07	9091001-07	Coupling Half-Bulkhead-1/2"
12	9091001-01		9091001-01	9091001-01	Coupling Half-Bulkhead-3/8"
13	3012795-01		3012795-01	3012795-01	Mounting Leg
14	9091001-10		9091001-10	9091001-10	Lineset Fitting with Port 1/2"
15	9091001-04		9091001-04	9091001-04	Lineset Fitting with Port 3/8"
16	9091001-08		9091001-08	9091001-08	Lineset Fitting without Port 1/2"
17	9091001-02		9091001-02	9091001-02	Lineset Fitting without Port 3/8"