

# UPRIGHT COOLER - SINGLE DOOR

## FEATURES



Model REB-12

Model REB-20

- ▶ Large lighted LED temperature display
- ▶ Light sensing electronic control produces 20-35% energy savings
- ▶ No-frost system
- ▶ Automatic defrost by thermostat cycle
- ▶ Winged evaporator with cold air forced ventilation
- ▶ One hinged anti-fogging glass door with auto close
- ▶ Illuminated lightbar for branding
- ▶ Interior light
- ▶ Adjustable wire shelves
- ▶ Operating range: +33° to +38° F
- ▶ Refrigerant CFC-free R-134a
- ▶ 7-ft power cord and plug set

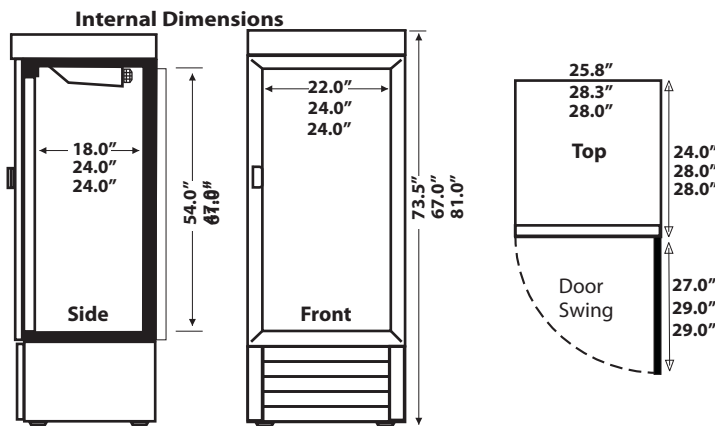
## OPTIONS

- ▶ Custom graphics

## SPECIFICATIONS

Model	Adjustable Shelves	External Dimensions W x D x H	Gross Cu Ft	Shipping Weight	Amps	H/P	Electrical
REB-12	4	25.8" x 24.0" x 73.8"	11.6	282	5.2	1/5	115/120V, 60Hz
REB-16	4	28.3" x 28.0" x 67.6"	16.3	284	5.9	1/4	115/120V, 60Hz
REB-20	5(4 + 1)*	28.0" x 28.0" x 79.8"	20.3	293	6.5	1/3	115/120V, 60Hz

\*Adj shelves+Bottom Shelf



NEMA 5-15P

### WARRANTY

18 Months Parts and Labor  
5 Years Compressor (part only)

Administered by:  
Metalfrio Solutions  
(888) 403-0070 Toll Free



Certified to ANSI/NSF 7 Standards

Dimensions subject to revision